

# FS 750-1027 FSO 750-1027 HPI 750-1027



## TYPE



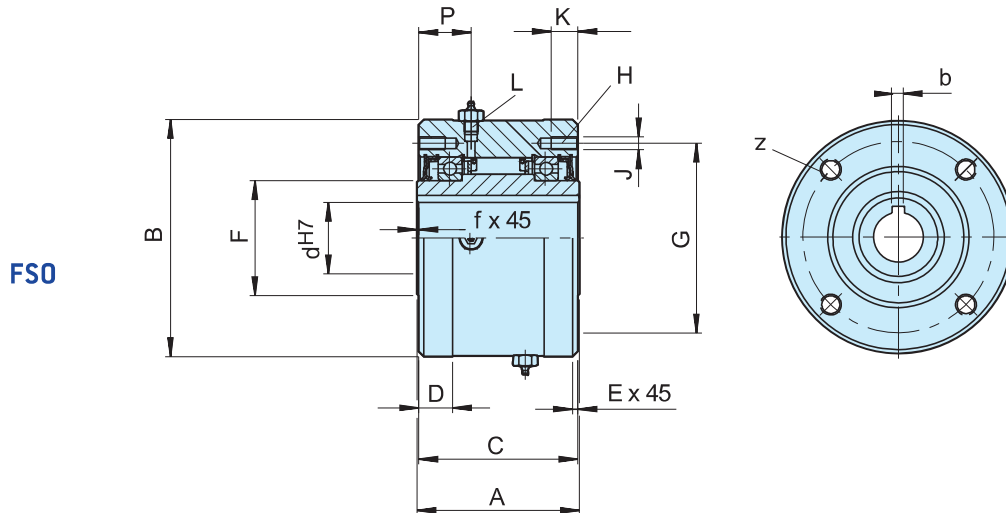
FSO

Types FS, FSO, and HPI 750 to 1027 are sprag type freewheels self-contained, sealed and bearing supported, using two ball bearings.

Units are delivered oil or grease lubricated according to the type. It is a Formsprag USA design that uses tall sprags with multi-radius active surfaces. Designed specially for large size freewheels to compensate for any eccentricity due to bearing wear. Types FS and HPI are oil

lubricated and use standard shaft lip seals. Type FSO is grease lubricated and equipped with special grease seals.

Type HPI is specially designed for high speed indexing applications. Each of the different models show a range of standard metric bore diameters. We can supply any bore size between the minimum and maximum specified in the table, including imperial sizes.



Type	Size	Overrunning speeds																Lubricant			Weight (kg)	Drag torque (Ncm)			
		FSO	FS	FSO	d <sup>H7</sup> -bxh	d <sup>4)</sup> min-max	A	B <sup>5)</sup> -0.05	C	D	E	F	G	z	J	K	L	P	f	FSO			HPI	FS	T <sub>R</sub>
		T <sub>KN</sub> <sup>1)</sup> (Nm)	n <sub>max</sub> <sup>2)</sup> (min <sup>-1</sup> )	n <sub>max</sub> <sup>3)</sup> (min <sup>-1</sup> )																					
FSO FS HPI					65-18x11																				
					70-20x12																				
	750	9660	1800/650	1000/650	75-20x12	57-87	152.4	222.25	149.2	31.7	1.6	107.74	177.8	8*	M12*	25	1/2-20	49.2	1.6	222	384	207	38	5.08	
					80-22x14																				
					85-22x14																				
	800	17940	1500/525	850/525	80-22x14	66-112	152.4	254.00	149.2	31.7	1.6	139.70	227.0	8	M12	25	1/2-20	49.2	1.6	222	444	251	46	7.12	
					90-25x14																				
					100-28x16																				
					110-28x16																				
	900	24408	1350/500	700/500	100-28x16	92-138	161.9	304.80	158.7	34.9	1.6	161.92	247.65	10	M16	32	1/2-20	54	1.6	532	473	340	71	8.47	
					110-28x16																				
					120-32x18																				
					130-32x18																				
					130-32x18																				
1027	36612	700/375	500/375	150-36x20	125-177	168.3	381.00	165.1	34.9	3.2	228.60	298.45	12	M16	32	1/2-20	54	3.2	651	946	473	113	13.56		
				175-45x25																					

**NOTES**

- 1)  $T_{max} = 2 \times T_{KN}$   
» Refer to Selection page 10 to 13
- 2) Inner race/outer race
- 3) Inner race/outer race
- 4) Inch bore available on request
- \*) 6 holes equally spaced at 60° plus 2 extra-holes at 180°
- 5) Tolerance for sizes 900 and 1027: -0,08

**MOUNTING EXAMPLE**

